

FAG

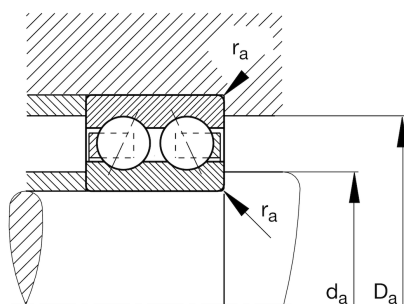
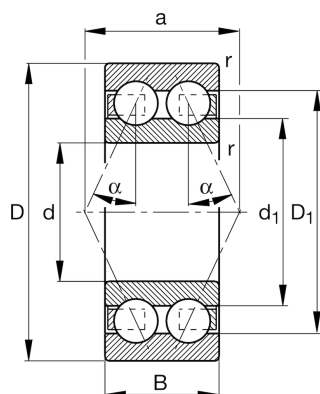
3207-BD-XL

Angular contact ball bearing

Schaeffler ID:
0709318360000Angular contact ball bearing 32.-BD-XL,
double row, X-life, steel sheet metal cage

X-life

Technical information



Main Dimensions & Performance Data

d	35 mm	Bore diameter
D	72 mm	Outside diameter
B	27 mm	Width
C_r	41.000 N	Basic dynamic load rating, radial
C_{0r}	30.000 N	Basic static load rating, radial
C_{ur}	2.090 N	Fatigue load limit, radial
n_G	10.100 1/min	Limiting speed
n_{gr}	9.900 1/min	Reference speed
	0,442 kg	Weight

Dimensions

r_{min}	1,1 mm	Minimum chamfer dimension
D_1	62,4 mm	Shoulder diameter outer ring
d_1	49,1 mm	Shoulder diameter inner ring
a	42,5 mm	Distance between the apexes of the pressure cones
α	30 °	Contact angle

Mounting dimensions

$d_{a min}$	42 mm	Minimum diameter shaft shoulder
$D_{a max}$	65 mm	Maximum diameter of housing shoulder
$r_{a max}$	1 mm	Maximum fillet radius

Temperature range

T_{min}	-30 °C	Operating temperature min.
T_{max}	120 °C	Operating temperature max.